

# CTP Pro

---

## Application Note



## How to prepare an auto-feed scanner for CTP...





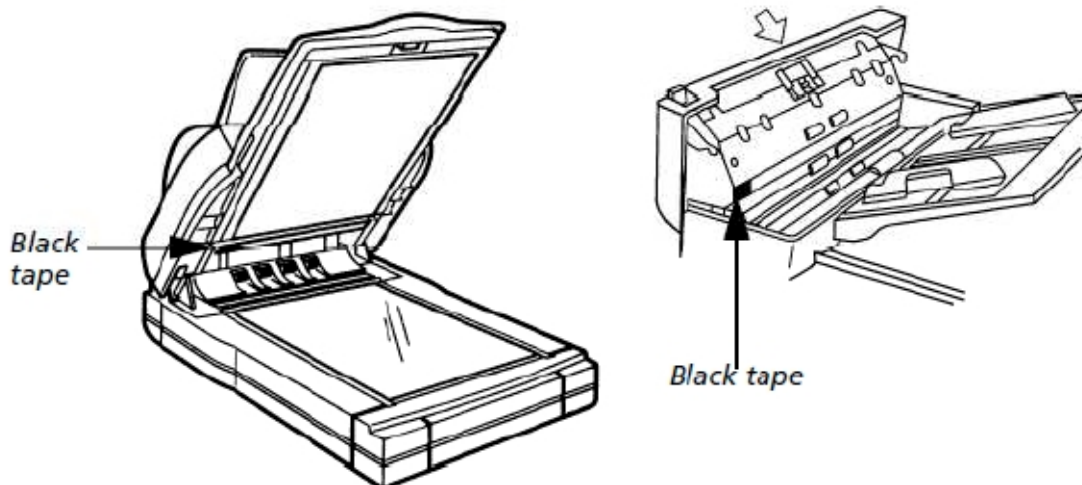
## How to prepare an auto-feed scanner for CTP...

When you scan using auto-feed, CTP finds each drawing's peg holes using a small piece of black tape attached to the scanner so that as the drawings are fed through, the holes in each drawing pass over the tape. CTP automatically aligns each drawing, compensating for any differences in where the sheet feeder positions each drawing.

**Caution:** Do not remove the tape from the scanner, otherwise CTP won't be able to align the drawings.

### Setting up an auto-feed scanner

If you are using auto-feed to scan drawings, to enable the software to find each drawing's peg holes, a small piece of black tape (normally about 40 mm long) must be attached to the white sheet guide at the edge of the scan bed, as shown in the following illustrations, which show the position of tape for two different types of scanner:



Make sure that:

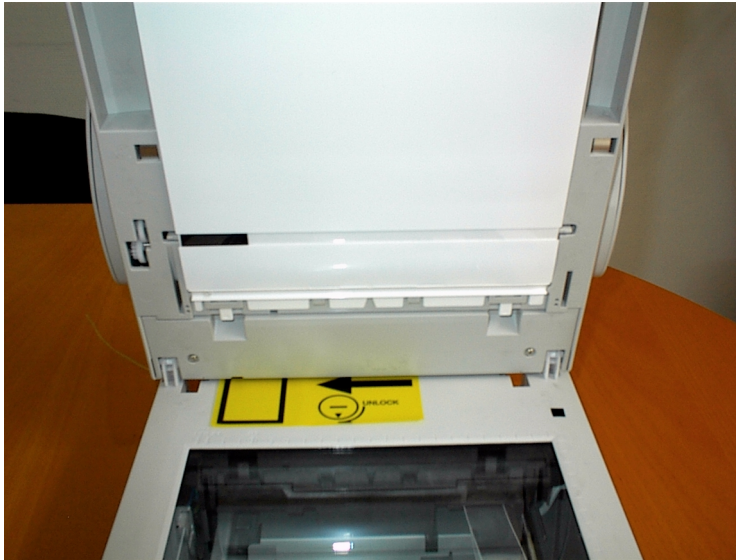
- The black tape is attached to the correct side of the scanner auto-feed mechanism. This varies, depending upon the model of scanner and the auto-feed mechanism you are using, so you may need to try the tape on one side, do a test scan and if that is unsuccessful, try scanning with the tape on the other side to get the correct results.
- The tape is long enough to cover the peg holes as they are fed through the auto-feeder, but not so long that it affects the quality of the drawings. If the tape is too long, it may show up as a gray area in the scanned drawings.
- The drawings are stacked in the sheet feeder with the peg holes against the correct edge (that is, the edge on the same side as the black tape).

**Practical example:**

Please note, although most auto-feed scanners are quite similar in design, you may have to do some trying and testing on how and where to attach the black tape in your scanner until you will get optimum results.

Take a look into the following pictures taken from a modification of an **Epson 1640SU Office** auto-feed scanner.





**Notice:**

Please email us pictures of your modified auto-feed scanner, and we will be more than happy to include them in this application note for other users to see. Thank you!